

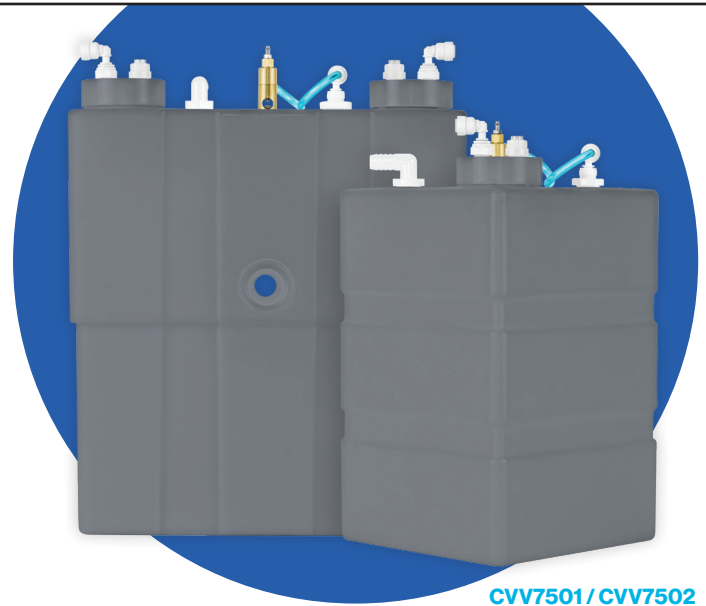
# VistaCool™

## Direct-to-Drain Cooling System for Autoclave Wastewater



### Kiss your condenser bottles goodbye

The steam and condensation produced by autoclaves can destroy cabinets, be messy to empty from condenser bottles, and even melt plumbing if not cooled sufficiently. The patent-pending VistaCool™ Direct-to-Drain System for Autoclave Wastewater dramatically reduces the temperature of autoclave wastewater and sends it directly down the drain, automatically — eliminating the need for condenser bottles.



#### Protects drains

Prevents autoclave wastewater from melting plumbing. Built-in backflow prevention meets or exceeds local plumbing codes.



#### Protects cabinets

Helps prevent mold, mildew, rot, and rust caused by spills and humid environments created by autoclave condenser bottles.



#### Saves staff time

Eliminates the need for staff to empty steaming-hot water bottles manually. Self-regulating system requires no user maintenance!

### Connect with the leaders

The VistaCool™ Direct-to-Drain System for Autoclave Wastewater is compatible with the top-selling autoclaves on the market.

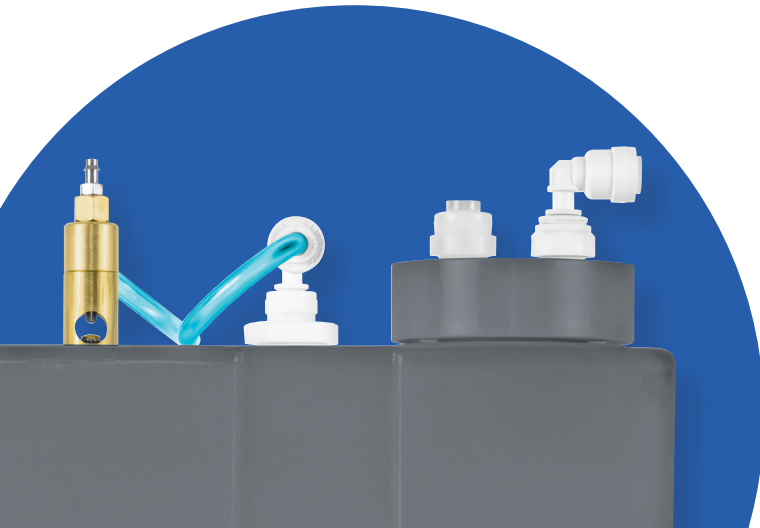
SciCan

midmark

Ritter®

STATIM 2000	M3	M3
STATIM 5000	M9*	M9*
	M11*	M11

\*Requires Model CVV7502 and CVS7560 Adapter Kit



Crosstex is now a proud member of  
**HuFriedyGroup**  
The Best In Practice



## Want fresh water?

With the use of a simple adapter kit, the VistaCool™ Direct-to-Drain System for Autoclave Wastewater\* model CVV7502 enables Midmark/Ritter M9 and M11 autoclaves to use fresh water for each sterilizer cycle.

### CVS7560 M9/M11 ADAPTER KIT

## Installation Requirements

### Connection to cold water supply

Supply fittings, valve, feed line tubing and QAI-certified VistaCheck™ Backflow Preventer included.

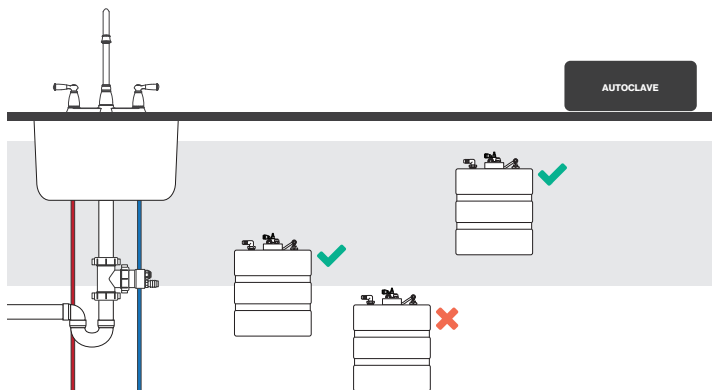
### Connection to drain with trap

1-1/2" utility tee with push-in fittings included. Inline thermal sensor(s) ensure wastewater is cool enough to send down the drain.

## Tank Positioning

The VistaCool™ Direct-to-Drain System for Autoclave Wastewater should be set on a hard, level surface and installed so that the top of the water tank is above the coolant overflow fitting on the drain adapter assembly and below the autoclave outlet. Installing a tank at the wrong height may create resistance for proper water flow, since the system is designed to take advantage of gravity flow.

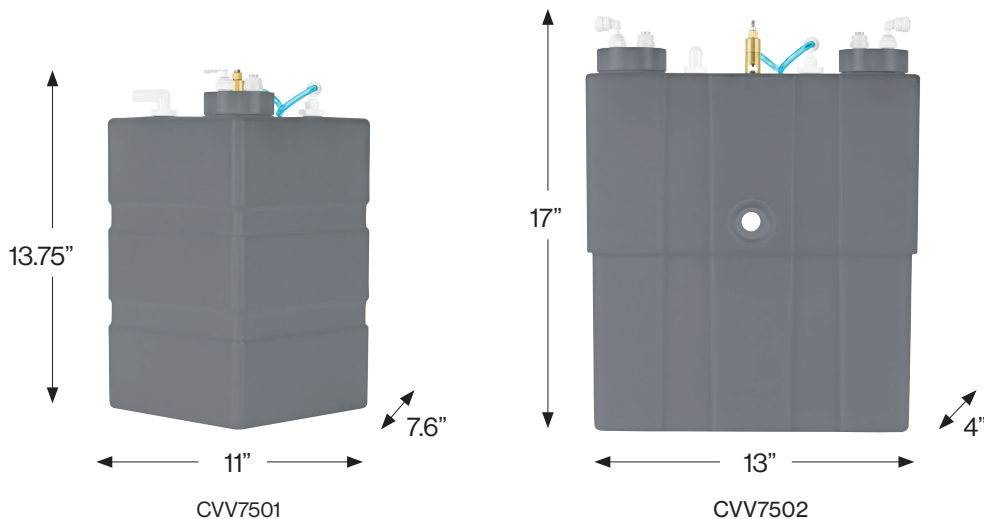
**Note:** Adjustable tank stands for installing the VistaCool™ Direct-to-Drain System for Autoclave Wastewater at the correct height are available as accessories when needed (CVS7545 for use with single-unit CVV7501; CVS7547 for use with double-unit CVV7502). These stands raise the tank height between 1/2" and 5" in 1/2" increments.



## Tank Dimensions

**CVV7501** | 7.6" W x 11" L x 13.75" H

**CVV7502** | 4.0" W x 13.0" L x 17.0" H



For more information, visit [HuFriedyGroup.com](http://HuFriedyGroup.com)

Hu-Friedy Mfg. Co., LLC, 1666 E. Touhy Ave., Des Plaines, IL 60018 | [HuFriedyGroup.com](http://HuFriedyGroup.com)  
All company and product names are trademarks of Hu-Friedy Mfg. Co., LLC its affiliates or related companies, unless otherwise noted. Midmark® is a registered trademark of Midmark Corporation. Ritter Dental® is a registered trademark of SPFM, LP.

©2022 Hu-Friedy Mfg. Co., LLC. All rights reserved. DLIT00651 Rev B /0822