

PRECAUTIONARY STATEMENTS

HAZARDS TO HUMANS AND DOMESTIC ANIMALS

CAUTION Causes moderate eye irritation. Avoid contact with eyes, skin and clothing. Wear protective eyewear (goggles) and gloves when handling. Wash thoroughly with soap and water after handling and before eating, drinking, chewing gum, using tobacco or using the toilet. Remove and wash contaminated clothing before reuse.

FIRST AID

If in eyes:	Hold eye open and rinse slowly and gently with water for 15-20 minutes. Remove contact lenses, if present, after the first 5 minutes, then continue rinsing eye. Call a poison control center or doctor for treatment advice.
If on skin or clothing:	Take off contaminated clothing. Rinse skin immediately with plenty of water for 15-20 minutes. Call a poison control center or doctor for treatment advice.
If swallowed:	Call a poison control center or doctor immediately for treatment advice. Have person sip a glass of water if able to swallow. Do not induce vomiting unless told to do so by a poison control center or doctor. Do not give anything by mouth to an unconscious person.

Have the product container or label with you when calling poison control center or doctor, or going for treatment.

ENVIRONMENTAL HAZARDS

The exposed iodine resin pellets are toxic to fish and aquatic organisms. Do not discharge effluent containing this product into lakes, streams, ponds, estuaries, oceans or other waters unless in accordance with the requirements of a National Pollutant Discharge Elimination System (NPDES) permit and the permitting authority has been notified in writing prior to discharge.



Hu-Friedy WATERLINE FILTER

For Use as an Antimicrobial Agent
in Dental Unit Waterlines

Active Ingredients:

Iodine*	46.0%
Other Ingredients	54.0%
TOTAL	100.0%

*Bound to polystyrene divinyl benzene quaternary ammonium anion exchange resin.

EPA Reg. No. 75372-1
EPA Est. No. 73593-OH-2

This product contains 0.5 lb of iodine (I₂) per pound.

**KEEP OUT OF REACH OF CHILDREN
CAUTION**

Hu-Friedy

Manufactured for:
Hu-Friedy Mfg. Co., LLC
3232 N. Rockwell St. • Chicago, IL 60618
1-800-Hu-Friedy

IMS-1440

DIRECTIONS FOR USE

It is a violation of federal law to use this product in any manner inconsistent with its labeling. Hu-Friedy Waterline Filter is designed for use on dental unit waterlines attached to dynamic dental instruments. The product reduces microbial contamination and odor causing bacteria in dental unit waterlines.

Prior to installing Hu-Friedy Waterline Filter, thoroughly clean dental unit waterlines following the manufacturer's instructions or with an appropriate cleaning agent. Insert Hu-Friedy Waterline Filter into the inlet and outlet fittings of dental unit waterlines.

Once the product is in place, the supply water will pass through the iodinated resin bed, which will continuously release low levels of antimicrobial iodine. After installation, check water flow and verify that the unit is operational. Create a check-off sheet to monitor volume of water used through unit. Shut off water to the dental unit when not in use.

The lifetime of this product is 240 liters or 365 calendar days (if water usage records are not monitored) or if iodine levels fall to less than 0.5ppm. After this period or level is reached, immediately replace the spent Hu-Friedy Waterline Filter with a new or replacement unit. To install the new unit, follow the instructions above for installing a new product.

If Hu-Friedy Waterline Filter is used in conjunction with a bottle water system: The bottle in water bottle systems must be emptied each night and the empty bottle replaced on the manifold. Before daily use, wash the inside of the bottle and rinse thoroughly. Wipe down the outside of Hu-Friedy Waterline Filter and make sure the intake end is not obstructed. Fill with fresh water each morning before its first use. Replace Hu-Friedy Waterline Filter after 240 liters of water usage, if iodine level falls to less than 0.5ppm, or if records of usage are not kept, after 365 calendar days of installation.

NOTE: Adherence to CDC/ADA guidelines for aseptic procedures including a 2-minute morning flush, a 20-30 second flush between patients, and hand piece sterilization must be continued after the installation of this product.

If package seal is broken or product appears dry, wrap in newspaper and dispose of it in the trash.

Troubleshooting: If the water flow after product installation is slow or inhibited, check to ensure that the product was installed properly or if the product has been plugged by debris. For bottle installation ensure that the air supply is turned on at the maximum level (45 psi). In addition, ensure that the product is at the bottom of the water bottle. If there is an air leak from fittings, contact your dental supplier for replacement parts or service. Discoloration of tubing from yellow to blue to green to black is normal and is not a concern. Initial discoloration of water is caused by release initial flush of excess iodine. Operate water until flow appears clear.

STORAGE & DISPOSAL

Storage: Store at room temperature in original packaging, away from children, pets and direct sunlight. Avoid excessive heat. Do not allow cartridge to freeze. Do not store in open or unlabeled containers.

Disposal: Securely wrap cartridge in newspaper and discard in trash.

INSTALLATION INSTRUCTIONS

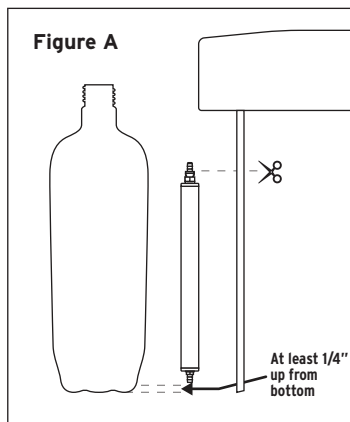
PRE-INSTALLATION NOTE:

Thoroughly clean dental unit waterlines with an appropriate antimicrobial cleaning agent following manufacturer's instructions before installing the Hu-Friedy Waterline Filter for the first time. Hu-Friedy Waterline Filter's barb fittings are sized for use with 1/4" O.D. x 1/8" I.D. dental supply tubing.

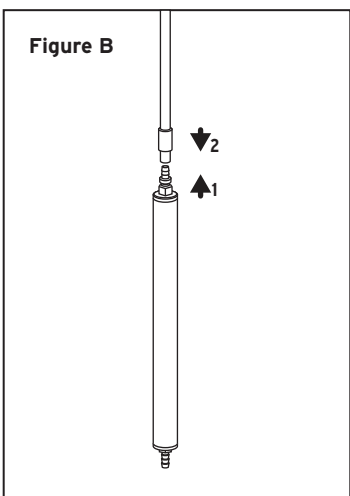
Please note that the filter has no designated inlet or outlet. Either orientation is acceptable.

FOR USE IN DENTAL BOTTLES:

1. Remove bottle from manifold.
2. Hold the Hu-Friedy Waterline Filter alongside the riser tube hanging from the manifold and mark the riser tube as shown in **Figure A**. Be sure to allow for at least a 1/4" gap between the end of the Hu-Friedy Waterline Filter and the bottom of the bottle.



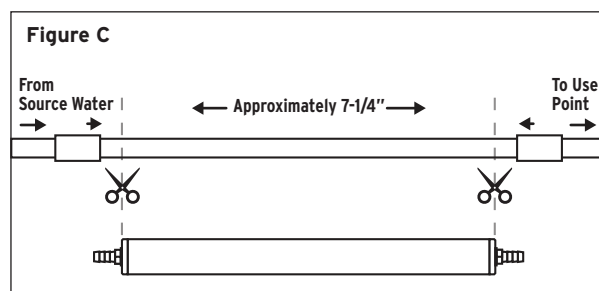
3. Cut off the lower section of the riser tube at the top mark using a tubing cutter, sharp knife, or scissors.
4. Push a tubing sleeve onto the riser tube as shown in **Figure B**, then push the hose barb attached to the Hu-Friedy Waterline Filter into the tubing, making sure that it is fully engaged.
5. Slide the tubing sleeve down over the hose barb, and make sure that the barb fitting is firmly threaded into the Hu-Friedy Waterline Filter body.



6. Fill the dental bottle with quality potable water and reattach to manifold by sliding the Hu-Friedy Waterline Filter through the bottle opening.
7. Pressurize the bottle as normal, then begin discharging all dental appliance lines including handpieces, air/water syringe and quick-disconnect (if present) for a few minutes each. The system is now ready for use.

FOR USE AS AN INLINE FILTER:

1. Depressurize the system that will utilize the Hu-Friedy Waterline Filter.
2. Hold the Hu-Friedy Waterline Filter alongside the tubing where the installation is desired and mark the section of tubing to be removed, as shown in **Figure C**.

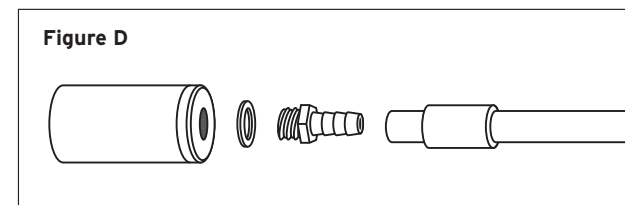


3. Cut the tubing at the marks using a tubing cutter, sharp knife, or scissors.
4. Push tubing sleeves onto both sections of tubing, then push the hose barbs on each end of the Hu-Friedy Waterline Filter into the tubing, making sure that both hose barbs are fully engaged.
5. Slide the tubing sleeves down over the hose barbs, and make sure that both barb fittings are firmly threaded into the Hu-Friedy Waterline Filter body.
6. Reopen the valve at the water source. Allow water to flow through the new filter by opening any device after the filter. Flow water through each connected device (e.g. handpiece, air/water syringe, scaler, etc.) for several minutes. The system is now ready for use.

CHANGING THE FILTER

Change the Hu-Friedy Waterline Filter after 240 liters or one year (if water usage is not monitored), or if iodine levels fall to less than 0.5 ppm.

1. Turn off and depressurize devices attached to filter.
2. Replace the filter via either method:
 - a. Slide back the tubing sleeve(s) and pull the tubing off the barb(s) and remove filter. Install new filter by pushing tubing over the barbs on the new filter, then sliding the sleeves back into place over the barb(s).
 - b. Unthread the barb fitting(s) from the expired filter, leaving the barb(s) in place inside the tubing. Remove the expired filter. Unthread the barb(s) from the new filter. Ensure the seal washer(s) shown in **Figure D** stay in place and then thread the new filter onto the existing barb(s).



CLEANING NOTE:

Before cleaning waterlines with any type of antimicrobial agent, always remove the Hu-Friedy Waterline Filter first. Replace the section of tubing temporarily, clean and rinse the lines, remove the temporary tubing, and then replace or reinstall the filter.

NOTE:

The Hu-Friedy Waterline Filter features one barbed fitting that swivels to facilitate easier filter replacement in an inline installation. Before resuming operation after replacing a filter, always ensure that both barbed fittings are threaded securely into the filter body to prevent leaks.